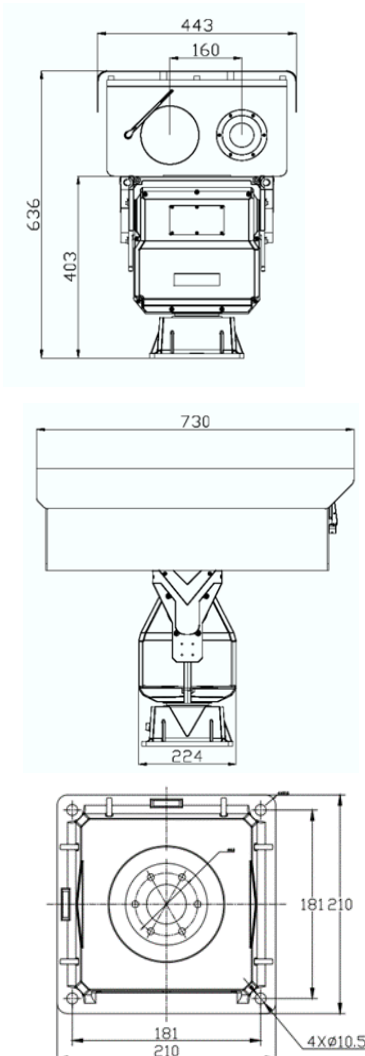


CK-Pro Series

Thermal & Optical Bi-spectrum Heavy Duty PTZ Camera



SATIR are pleased to announce the release of the CK-Pro Series, a range of thermal and optical Bi-spectrum Heavy Duty PTZ camera. In the Series, there is the CK400-Pro and the CK650-Pro. The CK400-Pro has an 400x300 IR resolution while the CK650-Pro has 640x512 IR resolution.

The CK-Pro Series has a temperature measurement range of -20°C to 150°C and a number of measurement tools. They are able to detect humans, vehicles and fire. They have a range of smart event tools such as people counting, people leaving/entering an area.

The CK-Pro Series in a new range of thermal & optical Bi-spectrum Heavy Duty PTZ Cameras that will be beneficial to the industry.

Key Features

- 400x300/640x512 IR resolution
- NETD $\leq 40\text{Mk}/35\text{mK}$
- Detect Humans, Vehicles and Fire
- 75/100mm motorized thermal lens optical, 32x/60x optical zoom visible lens optional
- Smart Events Tools such as people enter/leaving
- Temperature Measurement range: -20°C to 150°C
- Measurement Tools
- Power off self-locking, strong wind resistance
- IP66, Anti-frozen, NDAA Compliance

CK-Pro Specifications

Thermal Module	CK-400 Pro		CK640-Pro		
Image Sensor	Uncooled VOx Focal Plane Arrays				
Resolution	Sensor is 400×300, Image can be scaled up to 704×576		Sensor is 640×512. Image can be scaled up to 1280×1024		
Pixel Pitch	17um		12μm		
Spectral Range	8~14um				
Thermal Sensitivity (NETD)	≤ 40mK		≤ 35 mK		
Image Setting	Brightness, Sharpness, Contrast, Mirror, FFC control, 2D/3D DNR				
Pseudo-colour Setting	White-hot/Black-hot/Rainbow/Ironbow etc. up to 17 modes				
Thermal Lens					
Focus Control	Motorized Focus				
Focal Length	75mm		75mm	100mm	30~150mm
Aperture	F1.0	F1.0	F1.0	F1.0	F1.2
Angle of View	H: 5.1°, V: 3.8°	H: 3.8°, V: 2.3°	H: 6°, V:5°	H: 4.3°, V:3.5°	H: 14.5°~ 2.9°, V: 11.6°~ 2.3°
Detection Distance (Fire: 1x1m)	2,206 m (7,237.5ft)	2,941 m (9,649ft)	3125 m	4167 m	Max. 6,250 m
Detection Distance (Human:1.8x0.5m)	2,206 m (7,237.5ft)	2,941 m (9,649ft)	3121 m	4161 m	Max. 6,242 m
Detection Distance (Vehicle: 4x1.5m)	6,765 m (22,194.9ft)	9,020 m (29,593.2ft)	9583 m	12778 m	Max. 19,167 m
Recognition Distance (Human: 1.8x0.5m)	551 m (1,807.7ft)	735 m (2,411.4ft)	780 m	1040 m	Max. 2,083 m
Recognition Distance (Vehicle: 4x1.5m)	1691 m (5,547.9ft)	2255 m (7,398.3ft)	2396 m	3194 m	Max. 1,560 m
Note: The detection ranges are calculated with Johnson's criteria and vary in different weather conditions. *Product performance is based on testing in a controlled environment. Your results may vary due to several external and environmental factors.					
Optical Module					
Image Sensor	1/2.8" CMOS				
Max. Resolution	2592 (H)×1520 (V), 4MP				
Shutter Speed	1/5 ~ 1/20,000s				
Min. Illumination	Color: 0.03 Lux @ (F1.6, AGC ON), B/W: 0.003 Lux				
WDR	True WDR				
Focal Length	12.5 ~ 400mm (15.6 ~ 500mm, 12.5 ~ 750mm, 16.7 ~ 1000mm optional)				
Aperture	F3.1 to F16		F2.5 ~ F16		
Angle of View	H: 33° to 1.17°				
Optical Zoom	32x (32x, 60x, 60x optional)				
Focus Control	Auto/Manual/Semi-automatic				
Mirror	Support				
Defog	Support, and optical defog				
Privacy Masking	Support				

Please be aware specifications can vary from time to time

CK-Pro Specifications

PTZ	CK-400 Pro	CK640-Pro
Pan/Tilt Range	Pan: 0° ~ 360° endless, Tilt: +45° ~ -45°	
Pan/Tilt Speed	Pan: 0.01° ~ 30°/s, Tilt: 0.01° ~ 15°/s	
Wiper	Support	
Preset Accuracy	± 0.1°	
Presets	400	
Scan	8 scans, up to 32 presets per scan	
Patrol	12 patrols, up to 32 presets per scan	
Track	6 tracks	
3D Positioning	Support	
Speed Setup	Auto/Manual (0-8)	
Power Off Memory	Support	
Idle Motion	The time can be set (1-240 minutes), and functions such as preset positions, patrols, scans, and tracks can be run.	It can activate Preset/ Scan/Tour/Pattern if there is no command in the specified period
Video and Audio		
Main Stream	Thermal: 704×576 @25/30fps Optical: 2592×1520, 2304×1296, 1920×1080, 1280×720 @25/30fps	Thermal: 1280×1024, 1280×720, 640×512 @ 25/30fps Optical: 2560×1520, 1920×1080, 1280×720 @25/30fps
Sub Stream	Thermal: CIF @ 25/30fps Optical: D1, VGA, CIF @25/30fps	Thermal: D1, CIF @ 25/30fps Optical: D1, VGA, 640×360, CIF, QVGA @25/30fps
Bit Rate Control	CBR/VBR	
Bit Rate	Thermal: 100Kbps to 6Mbps Optical: Main stream: 200Kbps to 12Mbps, Sub stream: 100Kbps to 6Mbps	Thermal: Main stream: 100Kbps~8Mbps Sub stream: 100Kbps~6Mbps Optical: Main stream: 200Kbps~12Mbps, Sub stream: 100Kbps~6Mbps
Region of Interest	Off/On (8 Zone, Rectangle)	
Audio Compression	G711: 64kbps, RAW_PCM: 128kbps	G711: 8kbps, RAW_PCM: 16kbps
Smart Function		
Smart Alarm	Motion detection, Disk alarm, I/O alarm, IVS alarm, Temperature detection & alarm	
Smart Detection	Support human/vehicle detection, fire point detection and smoke & fire detection (ship detection optional)	
Intelligent Analysis	Intrusion, Single line crossing, Double line crossing, Loitering, Wrong-way, Enter area, Leave area (these 7 function support accurate detection of people/vehicles), People counting	
Temperature Detection		
Temperature Detection	3 temperature measurement rule types, 20 rules in total, 1 full screen, 19 others (spot, areas, line).	
Temperature Alarm	Over temperature alarm, Temperature difference alarm	
Accuracy	±2°C / ±2%	
Response Time	≤ 30ms	
Temperature Range	-20°C to 150°C (-4°F to 302°F)	-20°C to 150°C (-4°F to 302°F), -20°C to 550°C (-4°F to 1022°F) Customizable

Please be aware specifications can vary from time to time

CK-Pro Specifications

Network	CK-400 Pro	CK640-Pro
Protocols	IPv4/IPv6, HTTP, HTTPS, RTSP/ RTP/RTCP, TCP/UDP, DHCP, DNS, DDNS, PPPOE, FT, SMTP, 802.1x, SNMP	IPv4/IPv6 ,HTTP,RTSP/RTP/RTCP, TCP/UDP, DHCP, DNS, PPPOE, SMTP, 802.1x
Interoperability	ONVIF, CGI, SDK	
Max. User Access	10 Users	
Web Viewer	<IE11, Chrome, Firefox, Microsoft Edge	
Web Language	English, Chinese, Polish, Italian, Portuguese, Spanish. Russian, French, Czech, Hungarian	
Interface		
Network Interface	1 Ethernet (10/100 Base-T) RJ-45 Connector	
Audio Interface	2ch Audio In,2ch Audio Out	
Alarm Interface	3ch Alarm In,3ch Alarm Out	
RS485	Support	
BNC Output	Support	
Reset Button	Support (Built-in)	
SD Card Slot	Built-in, up to 256GB	
General		
Power Supply	DC36V	
Power Consumption	Max 150W	
Working Temperature	-40°C to 60°C (-40°F to 140°F)	
Storage Conditions	0 to 90% RH	
Certifications	CE /FCC	
Ingress Protection	IP66	
Casing	Metal	
Dimensions	730 × 443 × 636mm (28.74×17.44×25.04 inch)	
Net Weight	≤ 48Kg (105.8lb)	

Please be aware specifications can vary from time to time